

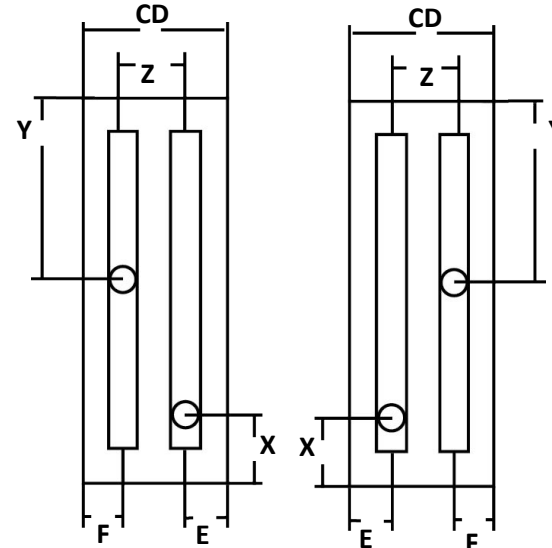
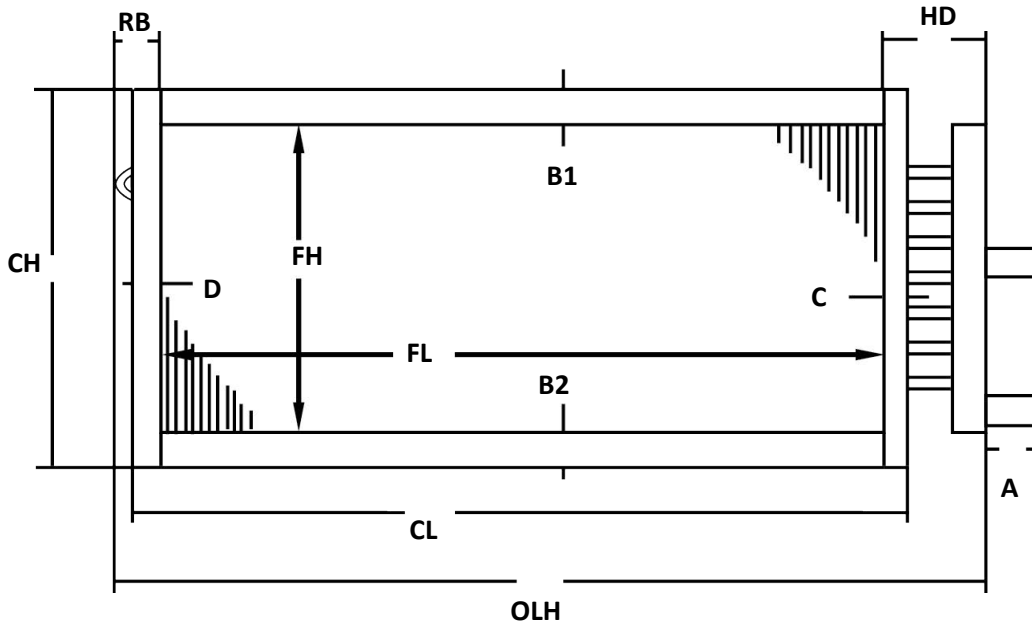


905.492.3541 | www.cdthvac.com

Standard Steam Coil

Name:	OEM Unit Model #
Company:	OEM Coil Model #
Phone:	Project:
Email:	Tag:

Coil Dimensions and Specifications: (Please include detail photos of the coils and header sections - if available)



****Circle Header End Matching Your Coil****

Header Material:

Copper _____

Other _____

Feeds to Header _____

Flange Type:

Non-Stacking _____

Stacking _____

Inverted Flange _____

***Casing Material: (check one)**

Galv Steel 16 ga _____

Stainless Steel 16 ga _____

*Rows	*FPI	*FH	*FL	CH	CL	CD	OLH	A	B1	B2	C	D	E	F	HD	RB	X	Y	Z

* Asterisk = minimum required for price

Notes:

<p>* COPPER</p> <table border="1"> <thead> <tr> <th>TUBE O.D.</th> <th>TUBE Thick</th> <th>FIN Thick</th> </tr> </thead> <tbody> <tr> <td><input type="checkbox"/> 5/8"</td> <td>.025</td> <td>.006</td> </tr> </tbody> </table> <p>Other _____</p>	TUBE O.D.	TUBE Thick	FIN Thick	<input type="checkbox"/> 5/8"	.025	.006	<p>*Fin Material:</p> <p>Aluminum (std) _____</p> <p>Copper _____</p>	<p>Connection Size:</p> <p>Supply _____</p> <p>Return _____</p>
	TUBE O.D.	TUBE Thick	FIN Thick					
<input type="checkbox"/> 5/8"	.025	.006						
<p>Connection Material:</p> <p>Copper _____</p> <p>Steel _____</p> <p>Red Brass _____</p>	<p>Connection Type:</p> <p>MPT _____</p> <p>FPT _____</p>							