

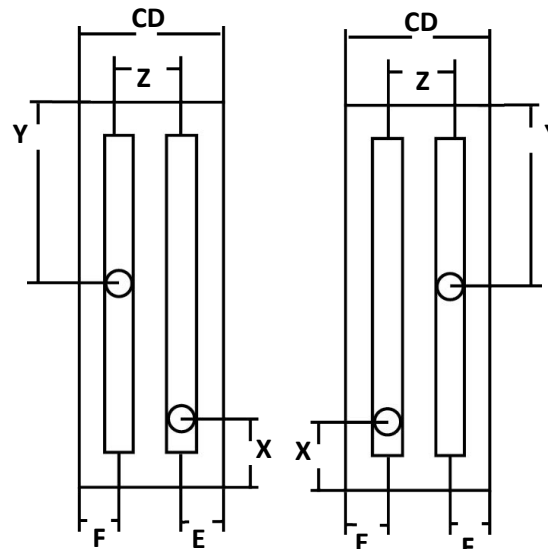
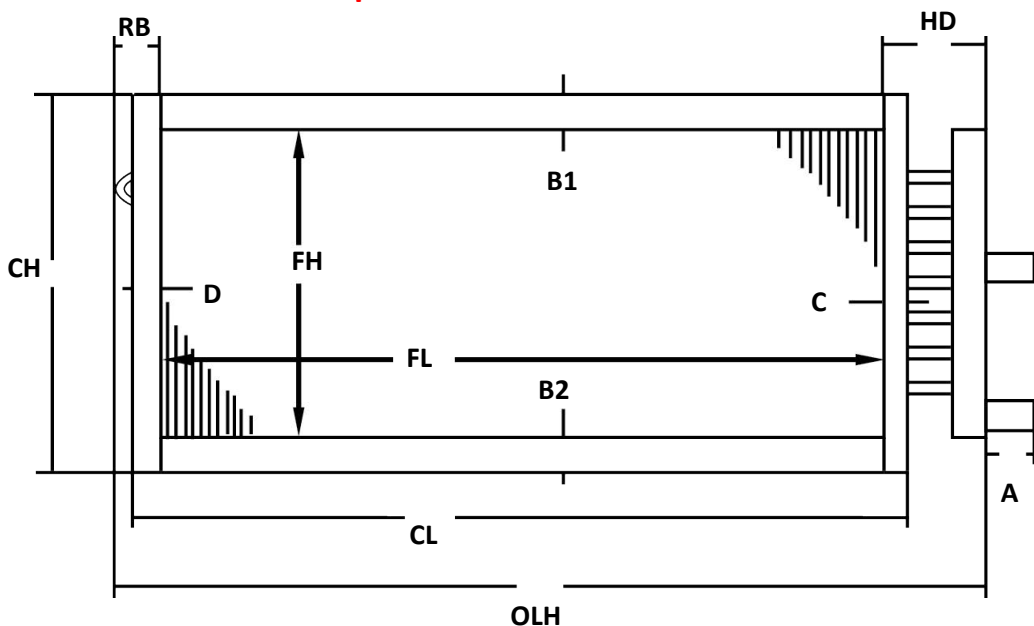


(800) USA-COIL | sales@usacoil.com | www.usacoil.com

## Standard Steam Coil

Name:	OEM Unit Model #
Company:	OEM Coil Model #
Phone:	Project:
Email:	Tag:

**Coil Dimensions and Specifications:** (Please include detail photos of the coils and header sections - if available)



**\*\*Circle Header End Matching Your Coil\*\***

**Header Material:**

Copper  
 Other \_\_\_\_\_  
 # Feeds to Header \_\_\_\_\_

**Flange Type:**

Non-Stacking \_\_\_\_\_  
 Stacking \_\_\_\_\_  
 Inverted Flange

**\*Casing Material: (check one)**

Galv Steel 16 ga  
 Stainless Steel 16 ga

*Rows	*FPI	*FH	*FL	CH	CL	CD	OLH	A	B1	B2	C	D	E	F	HD	RB	X	Y	Z

\* Asterisk = minimum required for price

**Notes:**

<p><b>* COPPER</b></p> <table border="1"> <thead> <tr> <th>TUBE O.D.</th> <th>TUBE Thick</th> <th>FIN Thick</th> </tr> </thead> <tbody> <tr> <td><input type="checkbox"/> 5/8"</td> <td>.025</td> <td>.006</td> </tr> </tbody> </table> <p>Other _____</p>	TUBE O.D.	TUBE Thick	FIN Thick	<input type="checkbox"/> 5/8"	.025	.006	<p><b>*Fin Material:</b></p> <p>Aluminum (std)          Copper</p>	<p><b>Connection Size:</b></p> <p>Supply _____          Return _____</p>
	TUBE O.D.	TUBE Thick	FIN Thick					
<input type="checkbox"/> 5/8"	.025	.006						
<p><b>Connection Material:</b></p> <p>Copper          Steel          Red Brass</p>	<p><b>Connection Type:</b></p> <p>MPT    FPT</p>							