

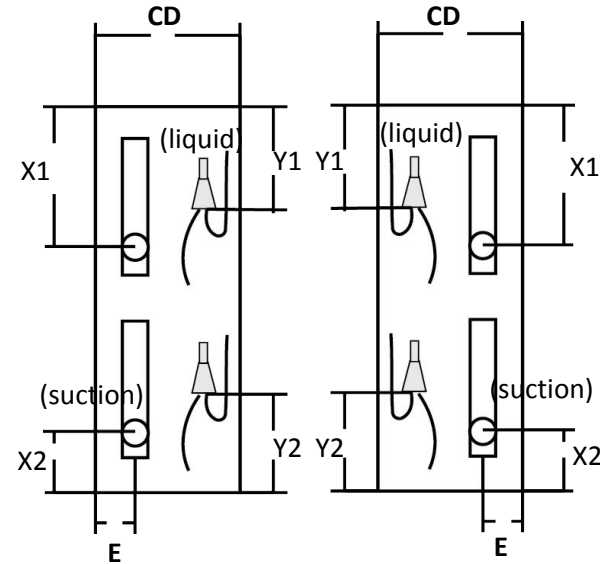
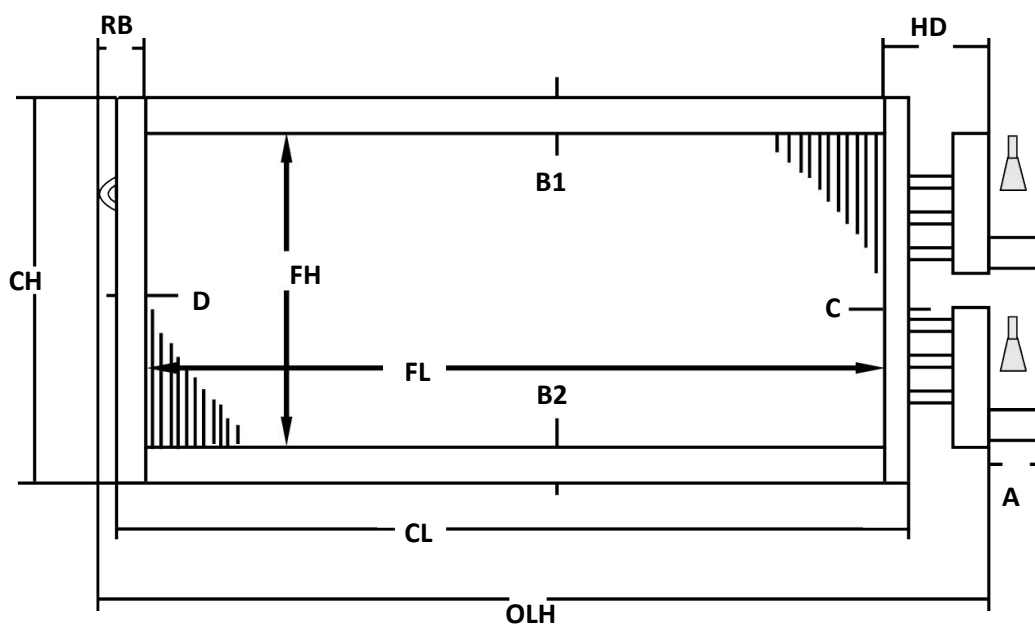


610.580.3004 | www.swcoil.com

DX Evaporator Coil - Face Split

| | |
|----------|------------------|
| Name: | OEM Unit Model # |
| Company: | OEM Coil Model # |
| Phone: | Project: |
| Email: | Tag: |

Coil Dimensions and Specifications: (Please include detail photos of the coils and header sections - if available)



****Circle Header End Matching Your Coil****

Header Material:

Copper

Tubes out from distributor:

Flange Type:

- Standard
- Stacking
- Inverted Flange

***Casing Material: (check one)**

- Galv Steel 16 ga
- Stainless Steel 16 ga

| *Rows | *FPI | *FH | *FL | CH | CL | CD | OLH | A | B1 | B2 | C | D | E | HD | RB | X1 | X2 | Y1 | Y2 |
|-------|------|-----|-----|----|----|----|-----|---|----|----|---|---|---|----|----|----|----|----|----|
| | | | | | | | | | | | | | | | | | | | |

* Asterisk items are minimum required for price

Notes:

| <p>* COPPER</p> <table border="1"> <thead> <tr> <th>TUBE O.D.</th> <th>TUBE Thick</th> <th>FIN Thick</th> </tr> </thead> <tbody> <tr> <td><input type="checkbox"/> 3/8"</td> <td>.014</td> <td>.005</td> </tr> <tr> <td><input type="checkbox"/> 1/2"</td> <td>.016</td> <td>.006</td> </tr> <tr> <td><input type="checkbox"/> 5/8"</td> <td>.020</td> <td>.006</td> </tr> <tr> <td colspan="3">Other _____</td> </tr> </tbody> </table> | TUBE O.D. | TUBE Thick | FIN Thick | <input type="checkbox"/> 3/8" | .014 | .005 | <input type="checkbox"/> 1/2" | .016 | .006 | <input type="checkbox"/> 5/8" | .020 | .006 | Other _____ | | | <p>*Fin Material:</p> <p>Aluminum (std)</p> <p>Copper</p> | <p>Refrigerant Type: (choose one)</p> <p>R-22</p> <p>R-410A</p> <p>Other: _____</p> | <p>Liquid O.D.</p> <p>_____</p> <p>Suction O.D.</p> <p>_____</p> <p><input type="checkbox"/> H.G.B.P</p> |
|---|---|------------|-----------|-------------------------------|------|------|-------------------------------|------|------|-------------------------------|------|------|-------------|--|--|--|--|--|
| | TUBE O.D. | TUBE Thick | FIN Thick | | | | | | | | | | | | | | | |
| | <input type="checkbox"/> 3/8" | .014 | .005 | | | | | | | | | | | | | | | |
| <input type="checkbox"/> 1/2" | .016 | .006 | | | | | | | | | | | | | | | | |
| <input type="checkbox"/> 5/8" | .020 | .006 | | | | | | | | | | | | | | | | |
| Other _____ | | | | | | | | | | | | | | | | | | |
| <p>Connection Material:</p> <p>Copper</p> | <p>Tonnage & CFM:</p> <p>_____</p> | | | | | | | | | | | | | | | | | |