

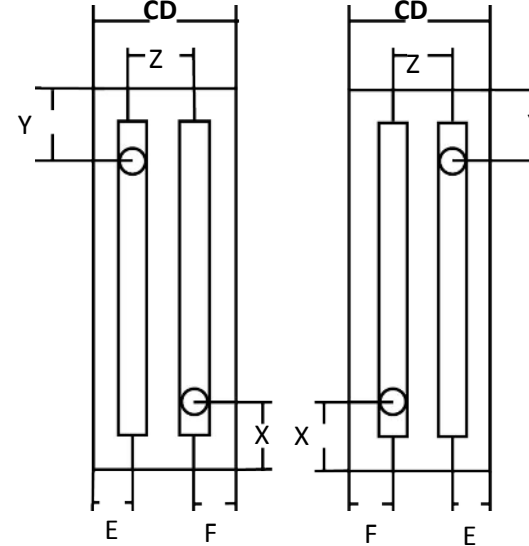
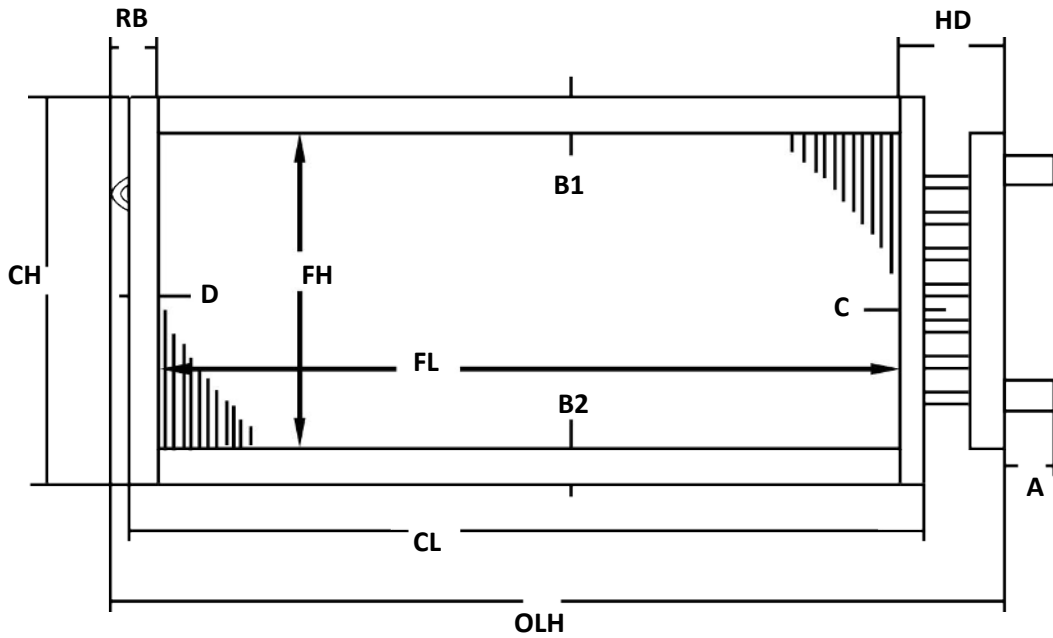


414.358.2646 | www.fluidh.com

Water Coil

Name:	OEM Unit Model #
Company:	OEM Coil Model #
Phone:	Project:
Email:	Tag:

Coil Dimensions and Specifications: (Please include detail photos of the coils and header sections - if available)



****Circle Header End Matching Your Coil****

Header Material:

Copper

Other _____

Feeds to Header _____

Flange Type:

Non-Stacking _____

Stacking _____

Inverted Flange _____

***Casing Material: (check one)**

Galv Steel 16 ga

Stainless Steel 16 ga

*Rows	*FPI	*FH	*FL	CH	CL	CD	OLH	A	B1	B2	C	D	E	F	HD	RB	X	Y	Z

* Asterisk = minimum required for price

Notes:

<p>COPPER</p> <p>* TUBE O.D. TUBE Thick FIN Thick</p> <p><input type="checkbox"/> 3/8" .014 .005</p> <p><input type="checkbox"/> 1/2" .016 .006</p> <p><input type="checkbox"/> 5/8" .020 .006</p> <p>Other _____</p>	<p>*Fin Material:</p> <p><input type="checkbox"/> Aluminum (std)</p> <p><input type="checkbox"/> Copper</p>	<p>Connection Size:</p> <p>Supply _____</p> <p>Return _____</p>
	<p>Connection Material:</p> <p><input type="checkbox"/> Copper</p> <p><input type="checkbox"/> Steel</p> <p><input type="checkbox"/> Red Brass</p>	<p>Connection Type:</p> <p><input type="checkbox"/> SWT <input type="checkbox"/> MPT <input type="checkbox"/> FPT</p>