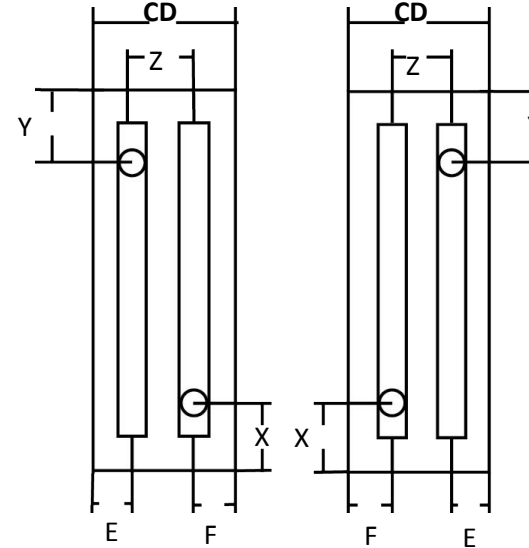
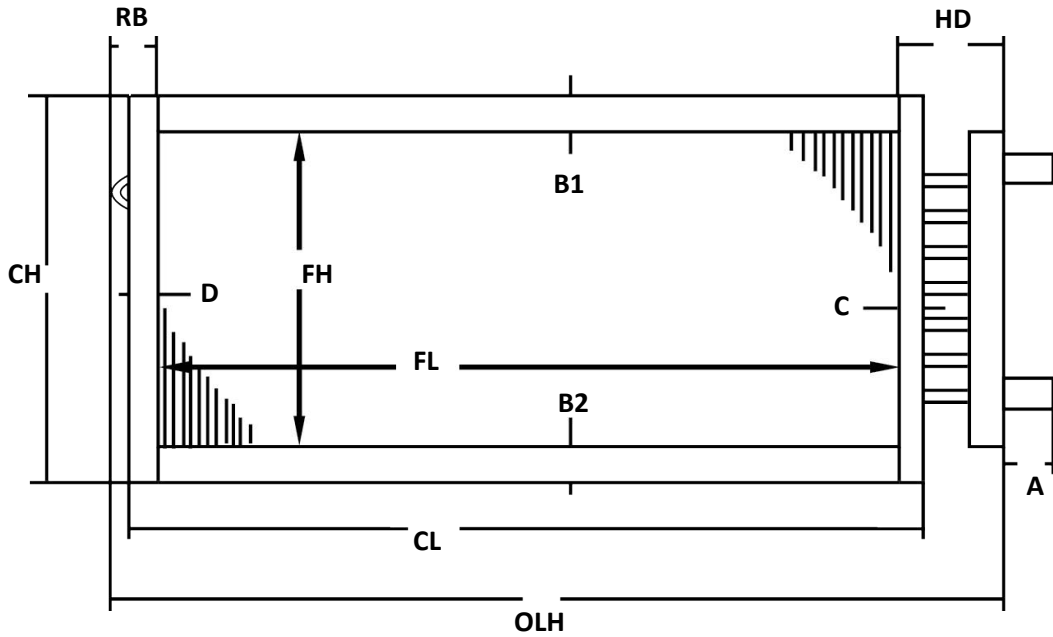


937.540.9093 | www.spearsmechanicalsys.com.com

Water Coil

Coil Dimensions and Specifications: (Please include detail photos of the coils and header sections - if available)



****Circle Header End Matching Your Coil****

Name:	OEM Unit Model #
Company:	OEM Coil Model #
Phone:	Project:
Email:	Tag:

Header Material: Copper Other _____ # Feeds to Header _____
Flange Type: <input type="checkbox"/> Non-Stacking <input type="checkbox"/> Stacking <input type="checkbox"/> Inverted Flange
*Casing Material: (check one) <input type="checkbox"/> Galv Steel 16 ga <input type="checkbox"/> Stainless Steel 16 ga

*Rows	*FPI	*FH	*FL	CH	CL	CD	OLH	A	B1	B2	C	D	E	F	HD	RB	X	Y	Z

* Asterisk = minimum required for price

Notes:

COPPER * TUBE O.D. TUBE Thick FIN Thick <input type="checkbox"/> 3/8" .014 .005 <input type="checkbox"/> 1/2" .016 .006 <input type="checkbox"/> 5/8" .020 .006 Other _____	*Fin Material: Aluminum (std) Copper	Connection Size: Supply _____ Return _____
	Connection Material: Copper Steel Red Brass	Connection Type: SWT MPT FPT