

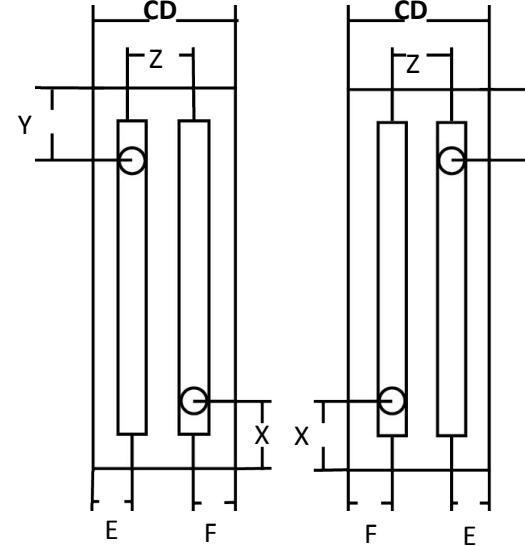
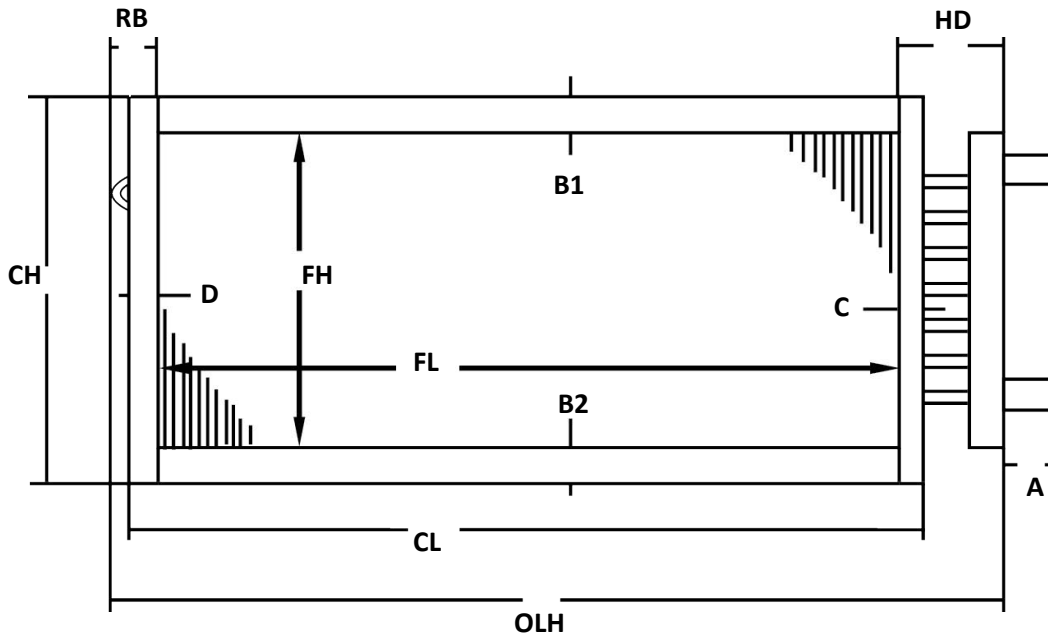


801.441.4949 | www.apsrep.com

Water Coil

Name:	OEM Unit Model #
Company:	OEM Coil Model #
Phone:	Project:
Email:	Tag:

Coil Dimensions and Specifications: (Please include detail photos of the coils and header sections - if available)



****Circle Header End Matching Your Coil****

Header Material:
 Copper
 Other _____
 # Feeds to Header _____

Flange Type:
 Non-Stacking
 Stacking
 Inverted Flange

***Casing Material: (check one)**
 Galv Steel 16 ga
 Stainless Steel 16 ga

*Rows	*FPI	*FH	*FL	CH	CL	CD	OLH	A	B1	B2	C	D	E	F	HD	RB	X	Y	Z

* Asterisk = minimum required for price

Notes:

COPPER * TUBE O.D. <input type="checkbox"/> 3/8" <input type="checkbox"/> 1/2" <input type="checkbox"/> 5/8" Other _____	TUBE Thick .014 .016 .020	FIN Thick .005 .006 .006	*Fin Material: Aluminum (std) Copper	Connection Size: Supply _____ Return _____
	Connection Material: Copper Steel Red Brass			Connection Type: SWT MPT FPT