

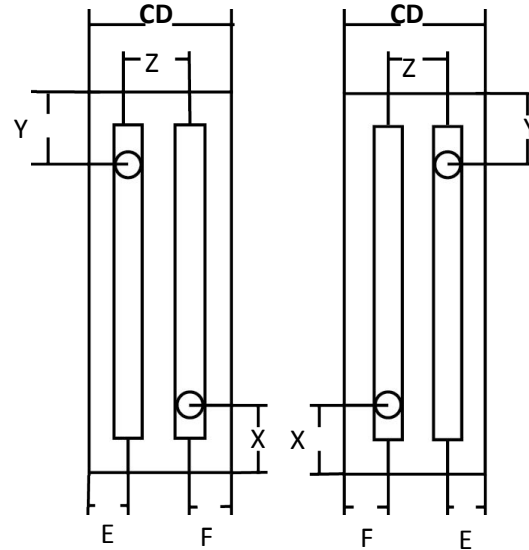
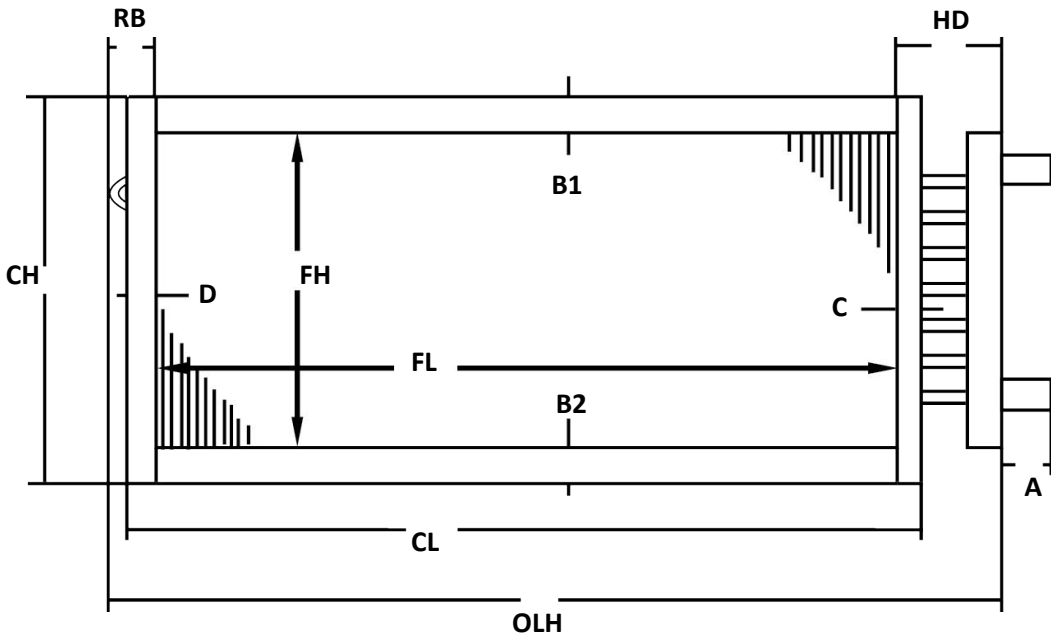


703.547.1680 | www.aircleaningtechnologies.com

# Water Coil

Name:	OEM Unit Model #
Company:	OEM Coil Model #
Phone:	Project:
Email:	Tag:

**Coil Dimensions and Specifications:** (Please include detail photos of the coils and header sections - if available)



**\*\*Circle Header End Matching Your Coil\*\***

**Header Material:**  
 Copper  
 Other \_\_\_\_\_  
 # Feeds to Header \_\_\_\_\_

**Flange Type:**  
 Non-Stacking  
 Stacking  
 Inverted Flange

**\*Casing Material: (check one)**  
 Galv Steel 16 ga  
 Stainless Steel 16 ga

*Rows	*FPI	*FH	*FL	CH	CL	CD	OLH	A	B1	B2	C	D	E	F	HD	RB	X	Y	Z

\* Asterisk = minimum required for price

**Notes:**

<b>COPPER</b> <b>* TUBE O.D.</b> <input type="checkbox"/> 3/8" <input type="checkbox"/> 1/2" <input type="checkbox"/> 5/8" <b>Other</b> _____	<b>TUBE Thick</b> .014 .016 .020	<b>FIN Thick</b> .005 .006 .006	<b>*Fin Material:</b> Aluminum (std) Copper	<b>Connection Size:</b> <b>Supply</b> _____ <b>Return</b> _____
	<b>Connection Material:</b> Copper Steel Red Brass			<b>Connection Type:</b> SWT   MPT   FPT