

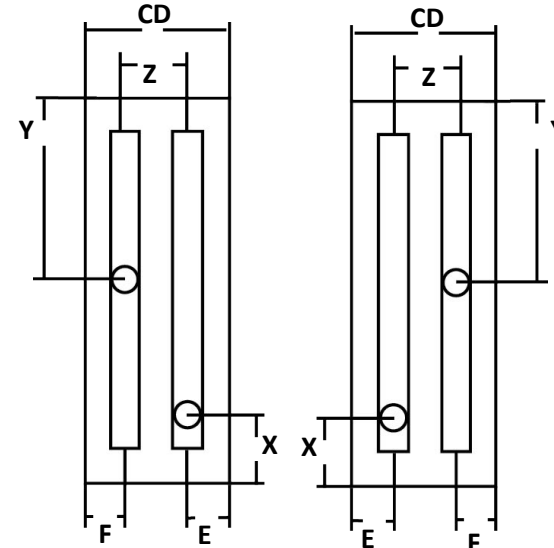
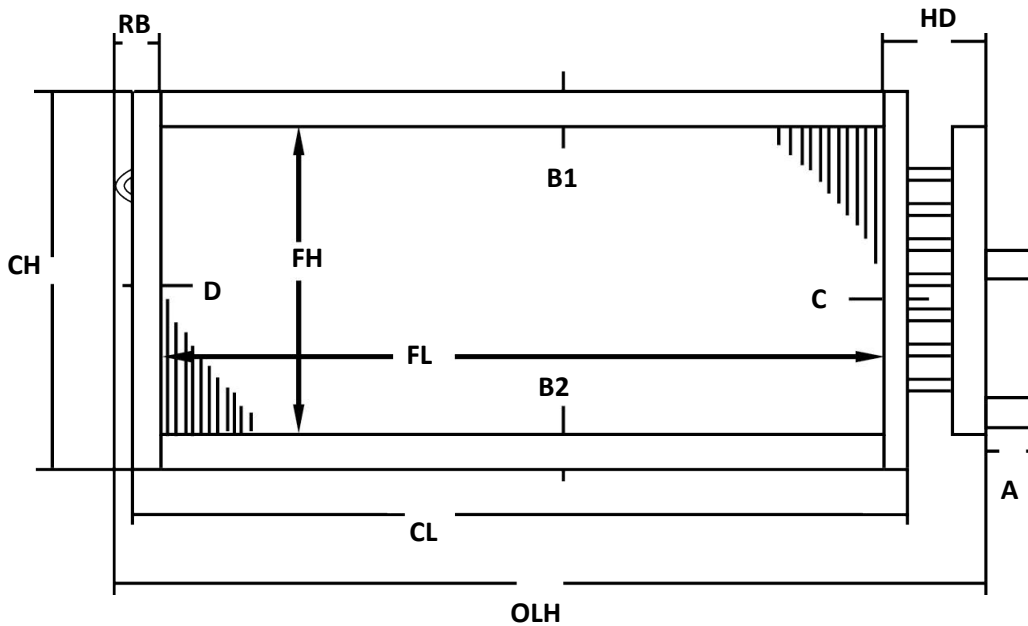


603.679.9897 | www.ftp-llc.com | sales@ftp-llc.com

Standard Steam Coil

Name:	OEM Unit Model #
Company:	OEM Coil Model #
Phone:	Project:
Email:	Tag:

Coil Dimensions and Specifications: (Please include detail photos of the coils and header sections - if available)



****Circle Header End Matching Your Coil****

Header Material:
 Copper
 Other _____
 # Feeds to Header _____

Flange Type:
 Non-Stacking _____
 Stacking _____
 Inverted Flange

***Casing Material: (check one)**
 Galv Steel 16 ga
 Stainless Steel 16 ga

*Rows	*FPI	*FH	*FL	CH	CL	CD	OLH	A	B1	B2	C	D	E	F	HD	RB	X	Y	Z

* Asterisk = minimum required for price

Notes:

* COPPER <table border="1"> <tr> <th>TUBE O.D.</th> <th>TUBE Thick</th> <th>FIN Thick</th> </tr> <tr> <td><input type="checkbox"/> 5/8"</td> <td>.025</td> <td>.006</td> </tr> </table> Other _____	TUBE O.D.	TUBE Thick	FIN Thick	<input type="checkbox"/> 5/8"	.025	.006	*Fin Material: Aluminum (std) Copper	Connection Size: Supply _____ Return _____
	TUBE O.D.	TUBE Thick	FIN Thick					
<input type="checkbox"/> 5/8"	.025	.006						
Connection Material: Copper Steel Red Brass	Connection Type: MPT FPT							