

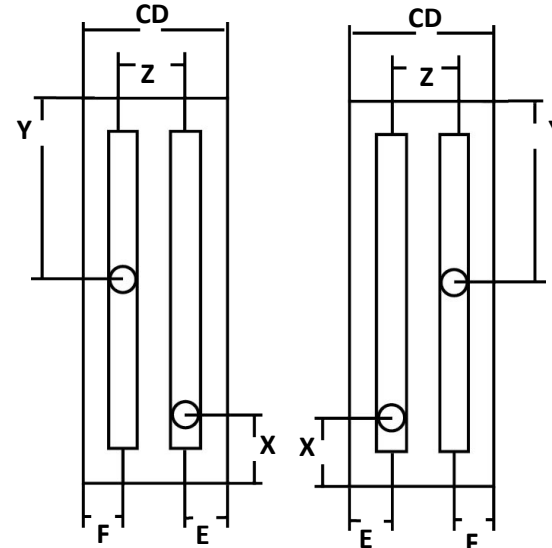
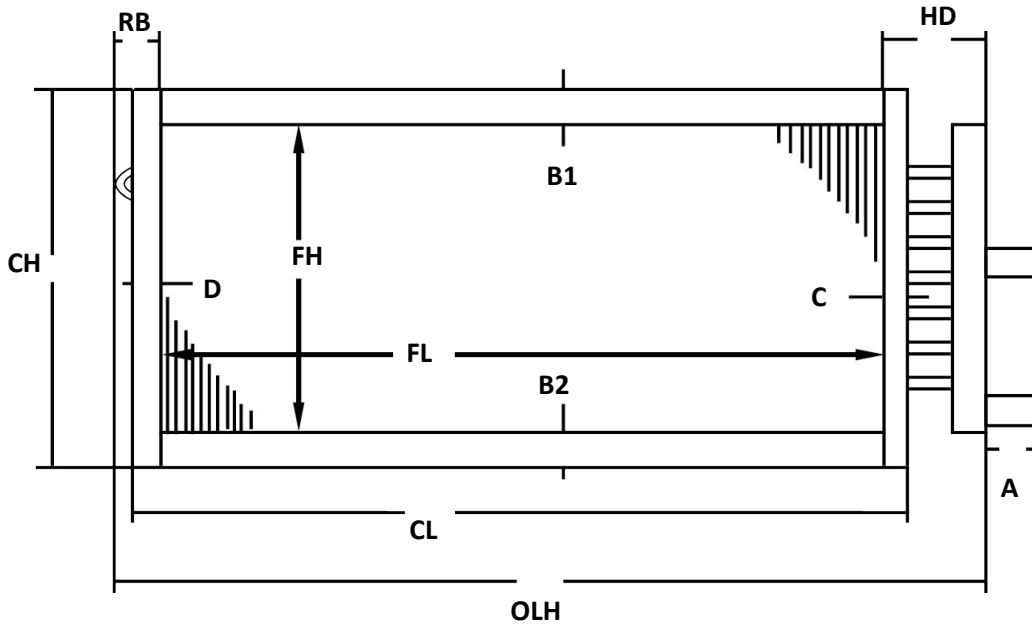


703.547.1680 | www.aircleaningtechnologies.com

# Standard Steam Coil

Name:	OEM Unit Model #
Company:	OEM Coil Model #
Phone:	Project:
Email:	Tag:

**Coil Dimensions and Specifications:** (Please include detail photos of the coils and header sections - if available)



**\*\*Circle Header End Matching Your Coil\*\***

**Header Material:**  
 Copper  
 Other \_\_\_\_\_  
 # Feeds to Header \_\_\_\_\_

**Flange Type:**  
 Non-Stacking  
 Stacking  
 Inverted Flange

**\*Casing Material: (check one)**  
 Galv Steel 16 ga  
 Stainless Steel 16 ga

*Rows	*FPI	*FH	*FL	CH	CL	CD	OLH	A	B1	B2	C	D	E	F	HD	RB	X	Y	Z

\* Asterisk = minimum required for price

Notes:

<b>* COPPER</b> <table border="1"> <tr> <th>TUBE O.D.</th> <th>TUBE Thick</th> <th>FIN Thick</th> </tr> <tr> <td><input type="checkbox"/> 5/8"</td> <td>.025</td> <td>.006</td> </tr> </table> Other _____	TUBE O.D.	TUBE Thick	FIN Thick	<input type="checkbox"/> 5/8"	.025	.006	<b>*Fin Material:</b> Aluminum (std) Copper	<b>Connection Size:</b> Supply _____ Return _____
	TUBE O.D.	TUBE Thick	FIN Thick					
<input type="checkbox"/> 5/8"	.025	.006						
<b>Connection Material:</b> Copper Steel Red Brass	<b>Connection Type:</b> MPT    FPT							